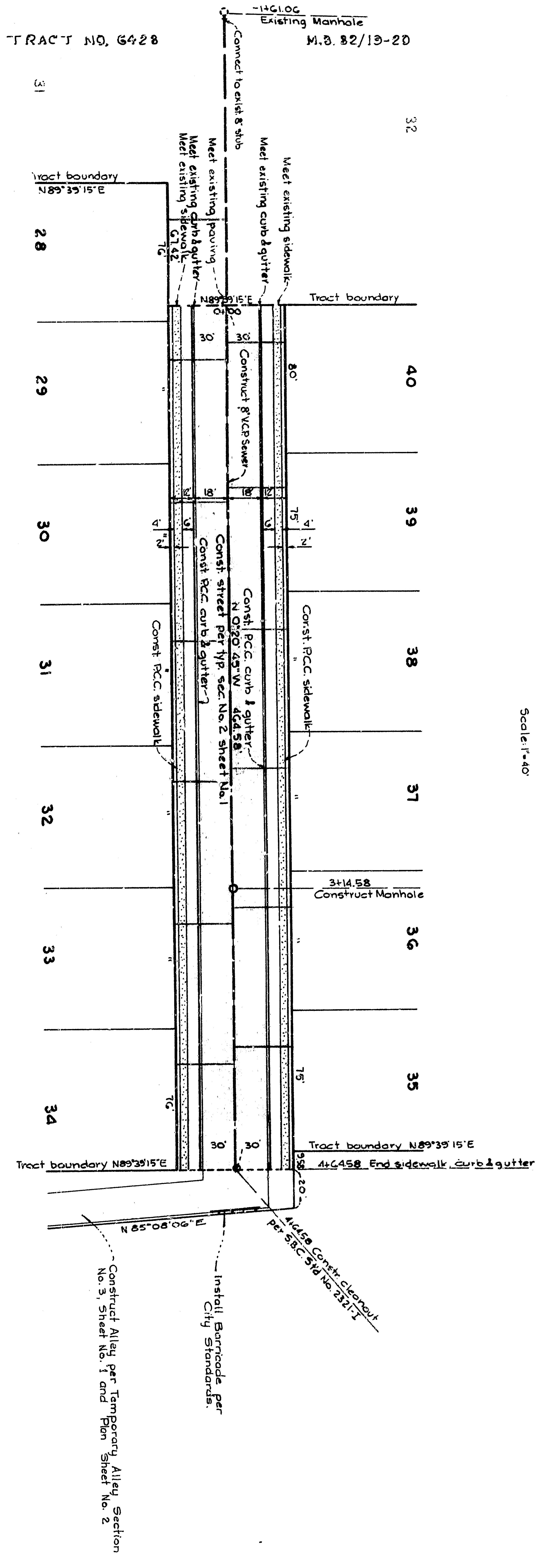
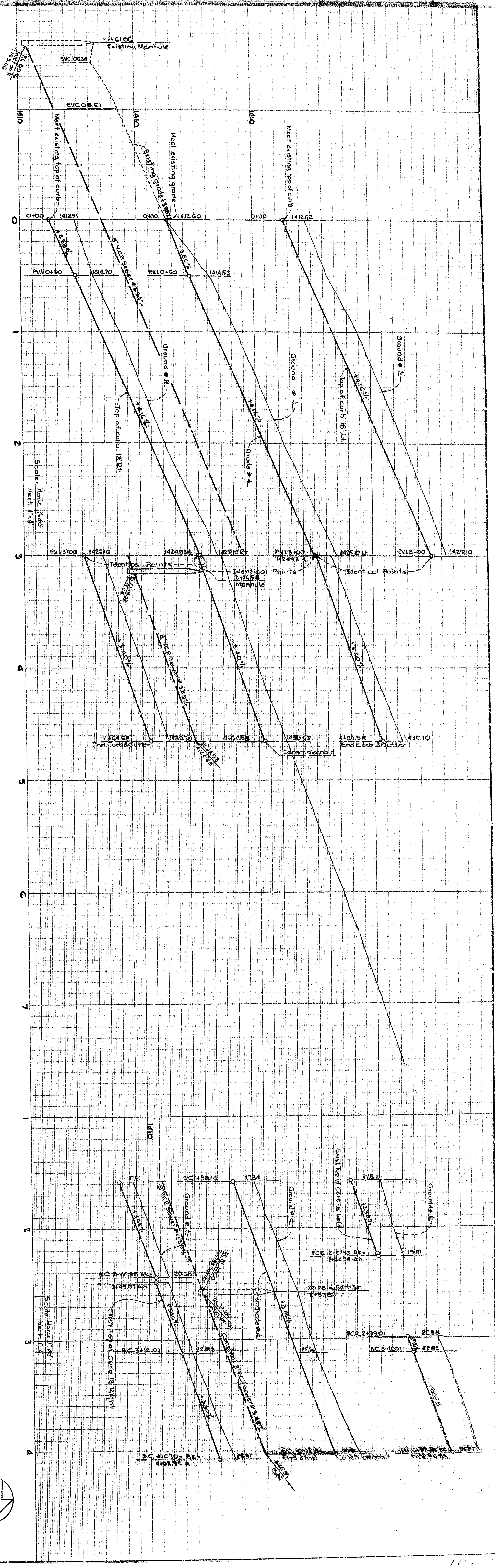
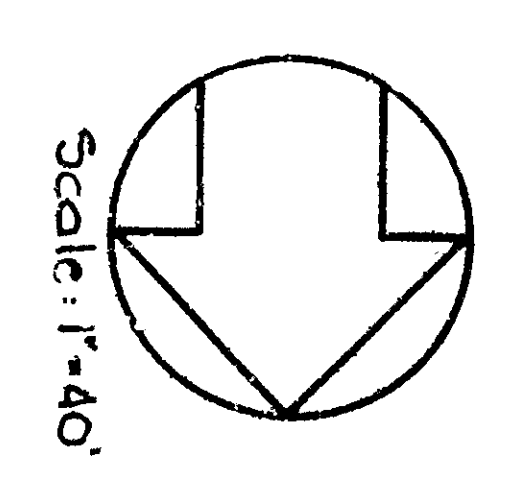
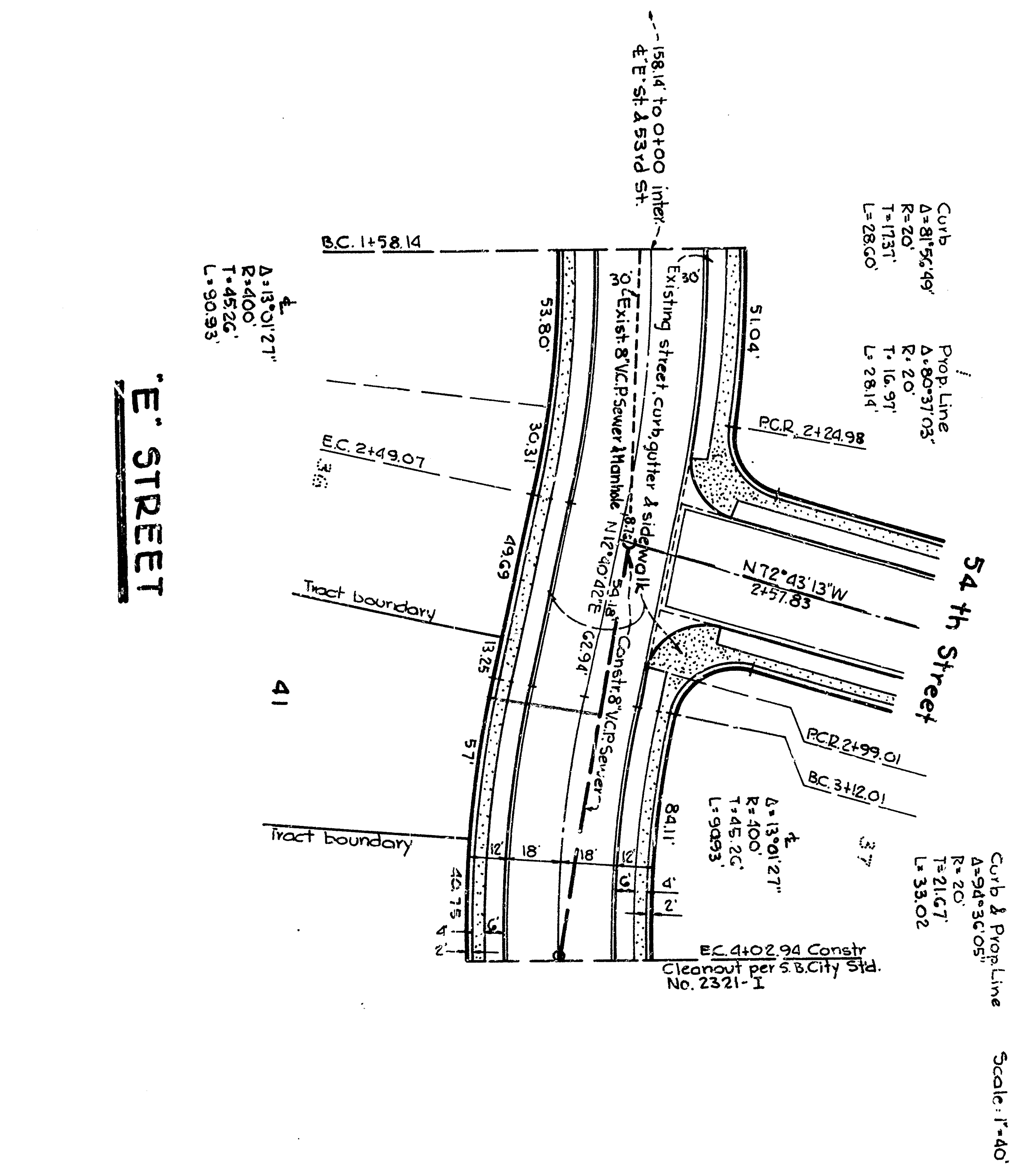
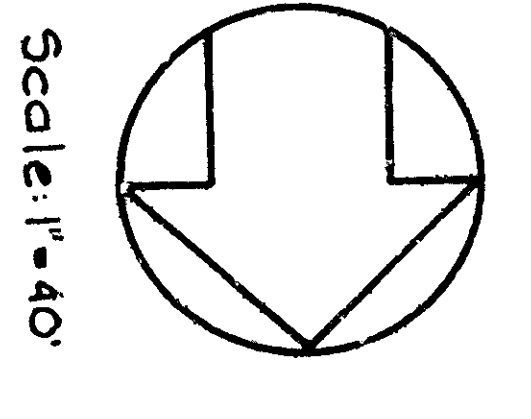


DEPARTMENT OF ENGINEERING  
 CITY OF SAN BERNARDINO  
 IMPROVEMENT PLANS  
 TRACT NO. 6728  
 SUBMITTED BY CAMPBELL, AMULLETT  
 APPROVED: [Signature] 1967  
 REGISTERED CIVIL ENGINEER NO. 14144  
 DRAWING NO. 3001  
 SHEET 3 OF 3 SHEETS





**STODDARD AVENUE**



DEPARTMENT OF ENGINEERING	
CITY OF SAN BERNARDINO	
IMPROVEMENT PLANS	
TRACT NO. 6728	
SUBMITTED BY	CAMPBELL & MILLER
APPROVED	1967
DRAWN BY	3001
CHECKED BY	3001
REGISTERED CIVIL ENGINEER NO. 1414	OF 3 SHEETS